

Metering Faucets

Single Hole Metering Faucets - Single Handle
Mixing

Model No: 87T110

COMPLIES WITH:

- CSA certified.
- Complies to ASME Standard A112.18.1.
- IAPMO listed
- EPA 1992 Compliant-Total flow not to exceed 0.25 gal. per cycle
- (Contact Delta Representative for State and/or Local Approvals)



SPECIFICATION:

- Heavy Duty Cast Brass single hole mount faucet
- polished chrome plate finish
- vandal resistant brass handle activator
- Delta® metering slow close cartridge
- two body mounted stainless steel anti-rotation locking pins
- mixing tee and Inlet checks
- vandal resistant spout outlet
- Total Flow NOT to exceed 0.25 gallons per handle activation
- Push Button Handle

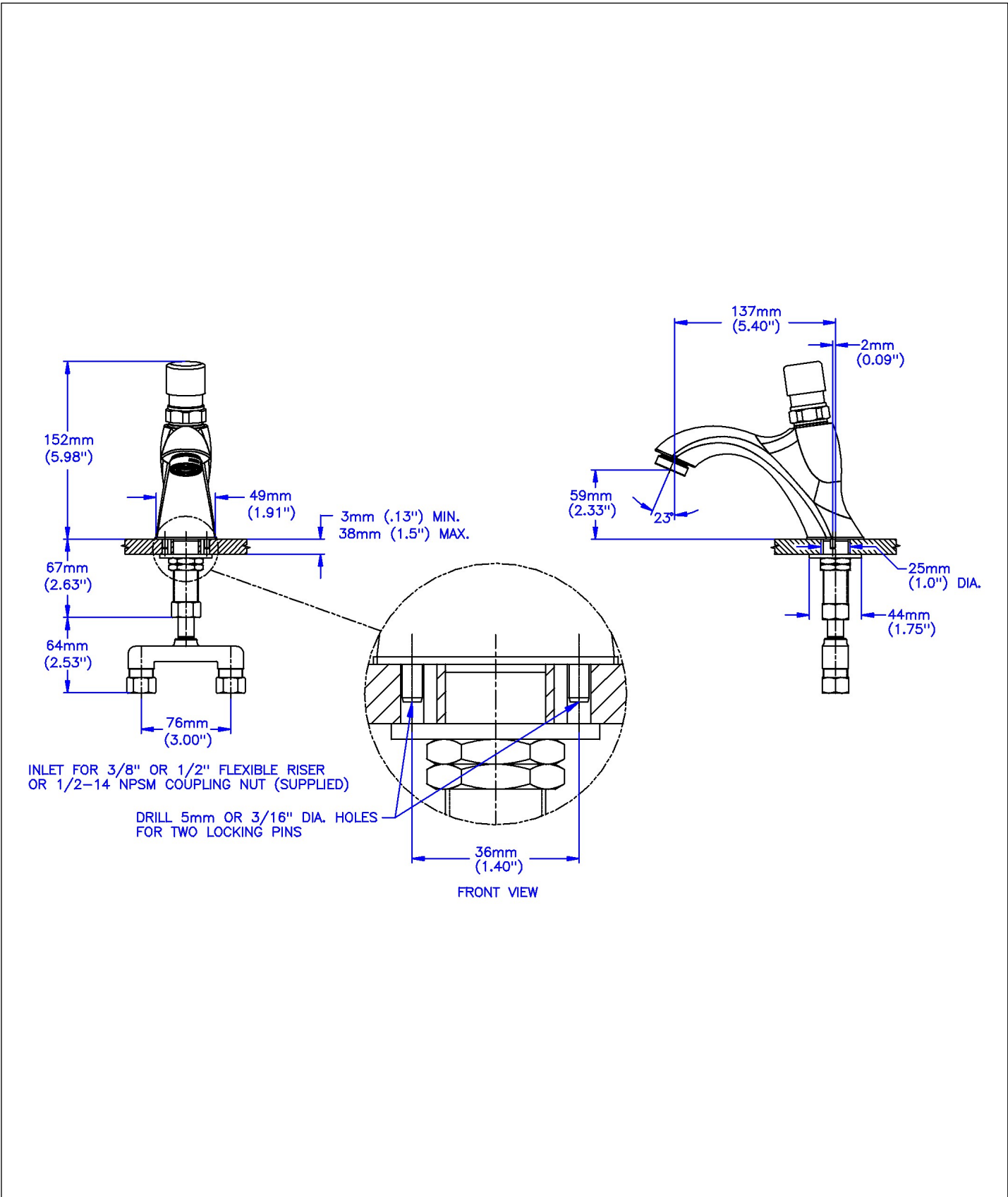
OPERATION:

- Not Available

(Dimensional drawing on following page)

Delta reserves the right (1) to make changes to specifications and materials, and (2) to change or discontinue models, both without notice or obligation. Dimensions are for reference. Measurement may vary plus or minus 6mm(0.25"). Mounting locations are suggested only. Check with local codes for requirements in your area.

Delta Faucet Company - 55 East 111th St. - Indianapolis, Indiana, USA 46280 - (317) 848-1812
Delta Faucet Canada - 395 Matheson Blvd E - Mississauga, Ontario, Canada L4Z 2H2 - (905) 712-3030



Delta reserves the right (1) to make changes to specifications and materials, and (2) to change or discontinue models, both without notice or obligation. Dimensions are for reference. Measurement may vary plus or minus 6mm(0.25"). Mounting locations are suggested only. Check with local codes for requirements in your area.

Delta Faucet Company - 55 East 111th St. - Indianapolis, Indiana, USA 46280 - (317) 848-1812
Delta Faucet Canada - 395 Matheson Blvd E - Mississauga, Ontario, Canada L4Z 2H2 - (905) 712-3030